

Publication Date: 29 JUL 2021

Effective Date: 09 SEP 2021

**AIRAC
AIP AMDT**

**08
09 SEP 2021**

AIRAC AIP AMENDMENT 08/21

I. Content

AD - LRCL - obstacle elevation corrected on AOC Type A RWY 25

**II. Insert the following new pages
and/or charts:**

GEN 0.4-1 09 SEP 2021
GEN 0.4-2 09 SEP 2021
GEN 0.4-3 09 SEP 2021
GEN 0.4-4 09 SEP 2021
GEN 0.4-5 09 SEP 2021
GEN 0.4-6 09 SEP 2021
GEN 0.4-7 09 SEP 2021

**Destroy the following pages
and/or charts:**

GEN 0.4-1 15 JUL 2021
GEN 0.4-2 15 JUL 2021
GEN 0.4-3 15 JUL 2021
GEN 0.4-4 15 JUL 2021
GEN 0.4-5 15 JUL 2021
GEN 0.4-6 15 JUL 2021
GEN 0.4-7 15 JUL 2021

AD 2.7-25 09 SEP 2021
AD 2.16-1 09 SEP 2021

AD 2.7-25 15 JUL 2021
AD 2.16-1 26 MAR 2020

III. Amend RECORD OF AIP AMDT (GEN 0.2) accordingly.

**IV. Information contained in the following NOTAM is incorporated in AIRAC AIP AMDT 08/21:
A2854/21**

END

GEN 0.4 CHECKLIST OF AIP PAGES

<i>Page</i>	<i>Date</i>	<i>Page</i>	<i>Date</i>	<i>Page</i>	<i>Date</i>
PART 1-GENERAL(GEN)		GEN 1.6-8	22 APR 2021	GEN 2.2-14	28 MAR 2019
GEN 0		GEN 1.6-9	22 APR 2021	GEN 2.2-15	30 MAR 2017
GEN 0.1-1	03 APR 2014	GEN 1.6-10	22 APR 2021	GEN 2.2-16	02 JUL 2010
GEN 0.1-2	23 JUL 2015	GEN 1.6-11	22 APR 2021	GEN 2.2-17	20 JUN 2019
GEN 0.1-3	29 JAN 1998	GEN 1.6-12	22 APR 2021	GEN 2.2-18	02 JUL 2010
GEN 0.2-1	29 JAN 1998	GEN 1.6-13	22 APR 2021	GEN 2.2-19	15 AUG 2019
GEN 0.2-2	29 JAN 1998	GEN 1.6-14	22 APR 2021	GEN 2.2-20	02 JUL 2010
GEN 0.2-3	10 JUN 2004	GEN 1.6-15	22 APR 2021	GEN 2.2-21	28 JAN 2021
GEN 0.2-4	02 AUG 2007	GEN 1.6-16	22 APR 2021	GEN 2.2-22	02 JUL 2010
GEN 0.2-5	02 AUG 2007	GEN 1.6-17	22 APR 2021	GEN 2.2-23	02 JUL 2010
GEN 0.2-6	25 MAR 2012	GEN 1.6-18	22 APR 2021	GEN 2.2-24	02 JUL 2010
GEN 0.2-7	25 MAR 2012	GEN 1.6-19	22 APR 2021	GEN 2.2-25	10 JUN 2004
GEN 0.2-8	10 NOV 2016	GEN 1.6-20	22 APR 2021	GEN 2.2-26	02 JUL 2010
GEN 0.2-9	10 NOV 2016	GEN 1.6-21	22 APR 2021	GEN 2.2-27	30 MAR 2017
GEN 0.2-10	20 MAY 2021	GEN 1.6-22	22 APR 2021	GEN 2.3-1	19 JUL 2018
GEN 0.2-11	20 MAY 2021	GEN 1.6-23	22 APR 2021	GEN 2.3-2	07 MAY 2009
GEN 0.3-1	17 JUN 2021	GEN 1.6-24	22 APR 2021	GEN 2.3-3	26 MAR 2020
GEN 0.4-1	09 SEP 2021	GEN 1.6-25	22 APR 2021	GEN 2.3-4	06 APR 2012
GEN 0.4-2	09 SEP 2021	GEN 1.6-26	22 APR 2021	GEN 2.3-5	18 NOV 2010
GEN 0.4-3	09 SEP 2021	GEN 1.6-27	22 APR 2021	GEN 2.4-1	15 JUL 2021
GEN 0.4-4	09 SEP 2021	GEN 1.6-28	22 APR 2021	GEN 2.4-2	25 MAR 2021
GEN 0.4-5	09 SEP 2021	GEN 1.6-29	22 APR 2021	GEN 2.5-1	28 MAR 2019
GEN 0.4-6	09 SEP 2021	GEN 1.6-30	22 APR 2021	GEN 2.5-2	28 MAR 2019
GEN 0.4-7	09 SEP 2021	GEN 1.6-31	22 APR 2021	GEN 2.6-1	29 JAN 1998
GEN 0.5-1	15 JUL 2021	GEN 1.6-32	22 APR 2021	GEN 2.6-2	29 JAN 1998
GEN 0.6-1	29 JAN 1998	GEN 1.6-33	22 APR 2021	GEN 2.7-1	15 JUL 2021
GEN 0.6-2	29 JAN 1998	GEN 1.6-34	22 APR 2021	GEN 2.7-2	18 JUN 2020
GEN 1		GEN 1.7-1	22 APR 2021	GEN 2.7-3	18 JUN 2020
GEN 1.1-1	28 MAR 2019	GEN 1.7-2	21 MAY 2020	GEN 2.7-4	18 JUN 2020
GEN 1.2-1	01 JAN 2017	GEN 1.7-3	01 JAN 2019	GEN 2.7-5	18 JUN 2020
GEN 1.2-2	01 JAN 2017	GEN 1.7-4	01 JAN 2019	GEN 2.7-6	25 FEB 2021
GEN 1.2-3	21 JUL 2016	GEN 1.7-5	01 JAN 2019	GEN 2.7-7	15 JUL 2021
GEN 1.2-4	30 JUN 2011	GEN 1.7-6	01 JAN 2019	GEN 2.7-8	15 JUL 2021
GEN 1.2-5	21 JUL 2016	GEN 1.7-7	01 JAN 2019	GEN 2.7-9	15 JUL 2021
GEN 1.2-6	06 APR 2012	GEN 1.7-8	01 JAN 2019	GEN 2.7-10	15 JUL 2021
GEN 1.2-7	21 JUL 2016	GEN 1.7-9	22 APR 2021	GEN 2.7-11	15 JUL 2021
GEN 1.2-8	01 MAR 2018	GEN 1.7-10	22 APR 2021	GEN 2.7-12	25 FEB 2021
GEN 1.2-9	09 JAN 2014	GEN 1.7-11	22 APR 2021	GEN 2.7-13	25 MAR 2021
GEN 1.2-10	01 MAR 2018	GEN 1.7-12	22 APR 2021	GEN 2.7-14	25 MAR 2021
GEN 1.2-11	09 JAN 2014	GEN 1.7-13	22 APR 2021	GEN 2.7-15	25 MAR 2021
GEN 1.2-12	09 JAN 2014	GEN 2		GEN 2.7-16	25 MAR 2021
GEN 1.2-13	09 JAN 2014	GEN 2.1-1	15 NOV 2004	GEN 2.7-17	25 MAR 2021
GEN 1.3-1	23 JAN 2003	GEN 2.1-2	31 DEC 2020	GEN 2.7-18	25 MAR 2021
GEN 1.3-2	23 JAN 2003	GEN 2.2-1	30 MAR 2017	GEN 3	
GEN 1.4-1	29 JAN 1998	GEN 2.2-2	02 JUL 2010	GEN 3.1-1	30 MAR 2017
GEN 1.5-1	22 MAY 2021	GEN 2.2-3	02 JUL 2010	GEN 3.1-2	23 JUL 2015
GEN 1.5-2	22 MAY 2021	GEN 2.2-4	02 JUL 2010	GEN 3.1-3	15 JUL 2021
GEN 1.5-3	22 MAY 2021	GEN 2.2-5	02 JUL 2010	GEN 3.1-4	04 JAN 2018
GEN 1.6-1	22 APR 2021	GEN 2.2-6	10 SEP 2020	GEN 3.1-5	13 SEP 2018
GEN 1.6-2	22 APR 2021	GEN 2.2-7	10 SEP 2020	GEN 3.1-6	15 JUL 2021
GEN 1.6-3	22 APR 2021	GEN 2.2-8	10 JUN 2004	GEN 3.2-1	08 OCT 2020
GEN 1.6-4	22 APR 2021	GEN 2.2-9	10 SEP 2020	GEN 3.2-2	08 OCT 2020
GEN 1.6-5	22 APR 2021	GEN 2.2-10	15 DEC 2019	GEN 3.2-3	08 OCT 2020
GEN 1.6-6	22 APR 2021	GEN 2.2-11	30 APR 2015	GEN 3.2-4	25 MAR 2021
GEN 1.6-7	22 APR 2021	GEN 2.2-12	02 JUL 2010	GEN 3.2-5	15 JUL 2021
		GEN 2.2-13	02 JUL 2010	GEN 3.2-6	15 JUL 2021

Page	Date	Page	Date	Page	Date
GEN 3.2-7	25 MAR 2021	GEN 4.2-8	01 JAN 2015	ENR 2.1-6	28 FEB 2019
GEN 3.2-8	15 JUL 2021	GEN 4.2-9	01 JAN 2021	ENR 2.1-7	28 FEB 2019
GEN 3.2-9	09 NOV 2017	GEN 4.2-10	10 SEP 2020	ENR 2.1-8	28 FEB 2019
GEN 3.2-10	15 JUL 2021	GEN 4.2-11	10 SEP 2020	ENR 2.2-1	15 AUG 1999
GEN 3.3-1	20 JUL 2017	PART 2-EN-ROUTE(ENR)			
GEN 3.3-2	15 SEP 2016	ENR 0			
GEN 3.3-3	21 MAY 2020	ENR 0.6-1	29 JAN 1998	ENR 3	
GEN 3.4-1	10 SEP 2020	ENR 0.6-2	15 JUL 2021	ENR 3.1-1	11 MAR 2010
GEN 3.4-2	25 MAR 2021	ENR 1			
GEN 3.4-3	25 MAR 2021	ENR 1.1-1	09 NOV 2017	ENR 3.2-1	11 MAR 2010
GEN 3.4-4	25 MAR 2021	ENR 1.1-2	17 AUG 2017	ENR 3.3-1	15 JUL 2021
GEN 3.4-5	10 SEP 2020	ENR 1.1-3	17 AUG 2017	ENR 3.3-2	26 MAY 2016
GEN 3.5-1	28 OCT 2004	ENR 1.2-1	20 MAY 2021	ENR 3.3-3	15 JUL 2021
GEN 3.5-2	10 SEP 2020	ENR 1.2-2	17 AUG 2017	ENR 3.3-4	15 JUL 2021
GEN 3.5-3	25 MAR 2021	ENR 1.2-3	24 MAY 2018	ENR 3.3-5	15 JUL 2021
GEN 3.5-4	01 MAR 2018	ENR 1.3-1	17 AUG 2017	ENR 3.3-6	15 JUL 2021
GEN 3.5-5	07 NOV 2019	ENR 1.3-2	15 JUL 2021	ENR 3.3-7	15 JUL 2021
GEN 3.5-6	22 APR 2021	ENR 1.3-3	15 JUL 2021	ENR 3.3-8	15 JUL 2021
GEN 3.6-1	17 SEP 2015	ENR 1.3-4	15 JUL 2021	ENR 3.3-9	15 JUL 2021
GEN 3.6-2	17 SEP 2015	ENR 1.3-5	15 JUL 2021	ENR 3.3-10	15 JUL 2021
GEN 3.6-3	17 SEP 2015	ENR 1.3-6	15 JUL 2021	ENR 3.3-11	15 JUL 2021
GEN 3.6-4	17 SEP 2015	ENR 1.4-1	17 AUG 2017	ENR 3.3-12	15 JUL 2021
GEN 4		ENR 1.4-2	24 MAY 2018	ENR 3.3-13	15 JUL 2021
GEN 4.1-1	07 FEB 2013	ENR 1.5-1	20 DEC 2007	ENR 3.3-14	15 JUL 2021
GEN 4.1-2	06 APR 2012	ENR 1.5-2	10 NOV 2016	ENR 3.3-15	15 JUL 2021
GEN 4.1-3	03 DEC 2020	ENR 1.6-1	13 SEP 2018	ENR 3.3-16	15 JUL 2021
GEN 4.1-4	03 DEC 2020	ENR 1.6-2	22 SEP 2011	ENR 3.3-17	15 JUL 2021
GEN 4.1-5	01 APR 2019	ENR 1.7-1	17 AUG 2017	ENR 3.3-18	15 JUL 2021
GEN 4.1-6	23 APR 2020	ENR 1.7-2	17 AUG 2017	ENR 3.3-19	15 JUL 2021
GEN 4.1-7	01 APR 2019	ENR 1.8-1	24 MAY 2018	ENR 3.3-20	15 JUL 2021
GEN 4.1-7a	25 MAR 2012	ENR 1.8-2	15 NOV 1998	ENR 3.3-21	15 JUL 2021
GEN 4.1-8	16 JUL 2020	ENR 1.8-3	15 NOV 1998	ENR 3.3-22	15 JUL 2021
GEN 4.1-8a	16 JUL 2020	ENR 1.8-4	15 FEB 2001	ENR 3.4-1	07 FEB 2013
GEN 4.1-8b	16 JUL 2020	ENR 1.8-5	18 SEP 2014	ENR 3.5-1	15 JUL 2021
GEN 4.1-9	03 DEC 2020	ENR 1.9-1	28 APR 2016	ENR 3.5-2	15 JUL 2021
GEN 4.1-10	01 JAN 2017	ENR 1.9-2	28 APR 2016	ENR 3.6-1	07 FEB 2013
GEN 4.1-11	22 MAY 2021	ENR 1.9-3	28 APR 2016	ENR 4	
GEN 4.1-11a	22 MAY 2021	ENR 1.9-4	28 APR 2016	ENR 4.1-1	13 AUG 2020
GEN 4.1-11b	22 MAY 2021	ENR 1.9-5	15 AUG 2019	ENR 4.1-2	05 DEC 2019
GEN 4.1-12	08 OCT 2020	ENR 1.10-1	15 JUL 2021	ENR 4.2-1	29 JAN 1998
GEN 4.1-13	10 NOV 2016	ENR 1.10-2	13 SEP 2018	ENR 4.3-1	28 AUG 2008
GEN 4.1-14	23 APR 2020	ENR 1.10-3	17 AUG 2017	ENR 4.4-1	15 JUL 2021
GEN 4.1-14a	23 APR 2020	ENR 1.10-4	17 AUG 2017	ENR 4.4-2	15 JUL 2021
GEN 4.1-14b	23 APR 2020	ENR 1.10-5	15 JUL 2021	ENR 4.4-3	15 JUL 2021
GEN 4.1-14c	23 APR 2020	ENR 1.10-6	17 AUG 2017	ENR 4.4-4	15 JUL 2021
GEN 4.1-15	04 FEB 2016	ENR 1.10-7	17 AUG 2017	ENR 4.4-5	15 JUL 2021
GEN 4.1-16	05 DEC 2019	ENR 1.10-8	17 AUG 2017	ENR 4.4-6	15 JUL 2021
GEN 4.1-17	08 OCT 2020	ENR 1.11-1	15 SEP 2009	ENR 4.4-7	15 JUL 2021
GEN 4.1-17a	08 OCT 2020	ENR 1.12-1	17 AUG 2017	ENR 4.4-8	15 JUL 2021
GEN 4.1-17b	08 OCT 2020	ENR 1.12-2	17 AUG 2017	ENR 4.4-9	15 JUL 2021
GEN 4.1-18	16 JUL 2020	ENR 1.12-3	17 AUG 2017	ENR 4.4-10	15 JUL 2021
GEN 4.1-19	02 APR 2015	ENR 1.13-1	17 AUG 2017	ENR 4.5-1	23 OCT 2008
GEN 4.1-20	15 JUL 2021	ENR 1.14-1	28 MAR 2019	ENR 5	
GEN 4.2-1	01 JAN 2021	ENR 2			
GEN 4.2-2	23 APR 2020	ENR 2.1-1	28 FEB 2019	ENR 5.1-1	29 JAN 1998
GEN 4.2-3	10 SEP 2020	ENR 2.1-2	15 JUL 2021	ENR 5.1-2	20 JUN 2019
GEN 4.2-4	10 SEP 2020	ENR 2.1-3	28 FEB 2019	ENR 5.1-3	11 DEC 2014
GEN 4.2-5	01 JAN 2015	ENR 2.1-4	28 FEB 2019	ENR 5.1-4	17 JUN 2021
GEN 4.2-6	01 JAN 2015	ENR 2.1-5	28 FEB 2019	ENR 5.1-5	17 JUN 2021
GEN 4.2-7	23 APR 2020			ENR 5.1-6	15 JUL 2021
				ENR 5.1-7	15 JUL 2021
				ENR 5.1-8	15 JUL 2021

Page	Date	Page	Date	Page	Date
ENR 5.1-9	15 JUL 2021	AD 1.3-2	25 MAR 2021	AD 2.2-26	25 FEB 2021
ENR 5.1-10	15 JUL 2021	AD 1.3-3	15 JUL 2021	AD 2.2-36	06 DEC 2018
ENR 5.1-11	15 JUL 2021	AD 1.4-1	29 JAN 1998	AD 2.2-37	25 APR 2019
ENR 5.2-1	12 NOV 2015	AD 1.5-1	15 JUL 2021	AD 2.2-51	06 DEC 2018
ENR 5.2-2	23 MAY 2019	AD 1.5-2	25 MAR 2021	AD 2.2-51a	07 DEC 2017
ENR 5.2-3	26 MAY 2016	AD 2		AD 2.2-91	06 DEC 2018
ENR 5.2-4	12 NOV 2015	AD 2.1-1	10 SEP 2020	AD 2.2-91a	07 DEC 2017
ENR 5.2-5	07 NOV 2019	AD 2.1-2	13 AUG 2020	AD 2.2-93	06 DEC 2018
ENR 5.2-6	10 NOV 2016	AD 2.1-3	13 AUG 2020	AD 2.2-93a	07 DEC 2017
ENR 5.2-7	10 NOV 2016	AD 2.1-4	13 AUG 2020	AD 2.3-1	21 MAY 2020
ENR 5.2-8	12 NOV 2015	AD 2.1-5	13 AUG 2020	AD 2.3-2	21 MAY 2020
ENR 5.3-1	02 JUL 2010	AD 2.1-6	13 AUG 2020	AD 2.3-3	21 MAY 2020
ENR 5.4-1	18 JUL 2019	AD 2.1-7	13 AUG 2020	AD 2.3-4	21 MAY 2020
ENR 5.4-2	01 MAY 2014	AD 2.1-8	13 AUG 2020	AD 2.3-5	21 MAY 2020
ENR 5.4-3	01 MAY 2014	AD 2.1-9	13 AUG 2020	AD 2.3-6	21 MAY 2020
ENR 5.4-4	01 MAY 2014	AD 2.1-10	13 AUG 2020	AD 2.3-7	21 MAY 2020
ENR 5.4-5	18 JUL 2019	AD 2.1-11	13 AUG 2020	AD 2.3-8	21 MAY 2020
ENR 5.5-1	02 JUL 2010	AD 2.1-12	13 AUG 2020	AD 2.3-9	21 MAY 2020
ENR 5.6-1	18 JUN 2020	AD 2.1-13	13 AUG 2020	AD 2.3-10	28 MAR 2019
ENR 6		AD 2.1-14	13 AUG 2020	AD 2.3-11	15 AUG 2019
ENR 6-2	15 JUL 2021	AD 2.1-15	13 AUG 2020	AD 2.3-12	15 AUG 2019
ENR 6-10	10 DEC 2015	AD 2.1-16	13 AUG 2020	AD 2.3-13	15 AUG 2019
ENR 6-11	07 NOV 2019	AD 2.1-17	13 AUG 2020	AD 2.3-20	21 MAY 2020
ENR 6-20	15 JUL 2021	AD 2.1-18	13 AUG 2020	AD 2.3-20a	28 MAR 2019
ENR 6-21	10 NOV 2016	AD 2.1-20	31 DEC 2020	AD 2.3-22	28 MAR 2019
ENR 6-40	28 FEB 2019	AD 2.1-20a	08 OCT 2020	AD 2.3-25	21 JUN 2018
ENR 6-51	21 JUL 2016	AD 2.1-22	10 SEP 2020	AD 2.3-28	18 JUL 2019
ENR 6-54	25 APR 2019	AD 2.1-25	10 SEP 2020	AD 2.3-51	15 JUL 2021
ENR 6-60	10 NOV 2016	AD 2.1-26	10 SEP 2020	AD 2.3-51a	28 MAR 2019
ENR 6-70	15 JUL 2021	AD 2.1-29	05 FEB 2015	AD 2.3-52	15 JUL 2021
ENR 6-100	15 JUL 2021	AD 2.1-31	15 JUL 2021	AD 2.3-52a	28 MAR 2019
ENR 6-101	28 JAN 2021	AD 2.1-32	15 JUL 2021	AD 2.3-61	15 JUL 2021
PART 3-AERODROMES(AD)		AD 2.1-33	15 JUL 2021	AD 2.3-61a	18 JUL 2019
AD 0		AD 2.1-34	15 JUL 2021	AD 2.3-62	15 JUL 2021
AD 0.6-1	02 JUL 2010	AD 2.1-35	15 JUL 2021	AD 2.3-62a	18 JUL 2019
AD 0.6-2	02 JUL 2010	AD 2.1-36	15 JUL 2021	AD 2.3-91	15 JUL 2021
AD 0.6-3	02 JUL 2010	AD 2.1-37	15 JUL 2021	AD 2.3-91a	28 MAR 2019
AD 0.6-4	25 FEB 2021	AD 2.1-38	15 JUL 2021	AD 2.3-92	15 JUL 2021
AD 0.6-5	25 FEB 2021	AD 2.1-45	15 JUL 2021	AD 2.3-92a	28 MAR 2019
AD 0.6-6	25 FEB 2021	AD 2.1-53	15 JUL 2021	AD 2.3-93	15 JUL 2021
AD 0.6-7	25 FEB 2021	AD 2.1-53a	18 JUL 2019	AD 2.3-93a	28 MAR 2019
AD 0.6-8	25 FEB 2021	AD 2.1-54	15 JUL 2021	AD 2.3-94	15 JUL 2021
AD 0.6-9	25 FEB 2021	AD 2.1-54a	18 JUL 2019	AD 2.3-94a	28 MAR 2019
AD 0.6-10	25 FEB 2021	AD 2.1-81	15 JUL 2021	AD 2.4-1	08 OCT 2020
AD 0.6-11	25 FEB 2021	AD 2.1-81a	18 JUL 2019	AD 2.4-2	17 JUN 2021
AD 0.6-12	25 FEB 2021	AD 2.1-83	15 JUL 2021	AD 2.4-3	17 JUN 2021
AD 0.6-13	25 FEB 2021	AD 2.1-83a	18 JUL 2019	AD 2.4-4	17 JUN 2021
AD 0.6-14	25 FEB 2021	AD 2.1-84	15 JUL 2021	AD 2.4-5	17 JUN 2021
AD 0.6-15	25 FEB 2021	AD 2.1-84a	18 JUL 2019	AD 2.4-6	17 JUN 2021
AD 0.6-16	25 FEB 2021	AD 2.2-1	10 SEP 2020	AD 2.4-7	17 JUN 2021
AD 0.6-17	25 MAR 2021	AD 2.2-2	17 JUN 2021	AD 2.4-8	17 JUN 2021
AD 1		AD 2.2-3	25 FEB 2021	AD 2.4-9	17 JUN 2021
AD 1.1-1	10 JUN 2004	AD 2.2-4	25 FEB 2021	AD 2.4-10	17 JUN 2021
AD 1.1-2	08 APR 2010	AD 2.2-5	25 MAR 2021	AD 2.4-20	17 JUN 2021
AD 1.1-3	08 NOV 2018	AD 2.2-6	17 JUN 2021	AD 2.4-20a	17 JUN 2021
AD 1.2-1	01 MAR 2018	AD 2.2-7	17 JUN 2021	AD 2.4-22	17 JUN 2021
AD 1.2-2	03 DEC 2020	AD 2.2-20	17 JUN 2021	AD 2.4-22a	05 DEC 2019
AD 1.2-3	01 MAR 2018	AD 2.2-20a	25 MAR 2021	AD 2.4-25	08 NOV 2018
AD 1.3-1	15 JUL 2021	AD 2.2-22	17 JUN 2021	AD 2.4-26	08 NOV 2018
		AD 2.2-25	25 FEB 2021	AD 2.4-29	08 APR 2010
				AD 2.4-30	25 APR 2019

Page	Date	Page	Date	Page	Date
AD 2.4-31	25 APR 2019	AD 2.5-30	23 APR 2020	AD 2.7-31a	10 NOV 2016
AD 2.4-32	25 APR 2019	AD 2.5-31	23 APR 2020	AD 2.7-32	17 JUN 2021
AD 2.4-33	25 APR 2019	AD 2.5-32	28 MAR 2019	AD 2.7-32a	10 NOV 2016
AD 2.4-34	25 APR 2019	AD 2.5-33	28 MAR 2019	AD 2.7-32b	10 NOV 2016
AD 2.4-34a	01 JAN 2017	AD 2.5-34	23 APR 2020	AD 2.7-33	17 JUN 2021
AD 2.4-35	25 APR 2019	AD 2.5-34a	25 JUN 2015	AD 2.7-33a	10 NOV 2016
AD 2.4-35a	13 NOV 2014	AD 2.5-35	23 APR 2020	AD 2.7-34	17 JUN 2021
AD 2.4-36	25 APR 2019	AD 2.5-35a	26 JUN 2014	AD 2.7-34a	10 NOV 2016
AD 2.4-36a	07 FEB 2013	AD 2.5-36	28 MAR 2019	AD 2.7-35	17 JUN 2021
AD 2.4-37	25 APR 2019	AD 2.5-36a	07 FEB 2013	AD 2.7-35a	10 NOV 2016
AD 2.4-37a	01 JAN 2017	AD 2.5-37	28 MAR 2019	AD 2.7-36	17 JUN 2021
AD 2.4-40	25 MAR 2021	AD 2.5-37a	26 JUN 2014	AD 2.7-36a	10 NOV 2016
AD 2.4-41	07 NOV 2019	AD 2.5-40	23 APR 2020	AD 2.7-37	17 JUN 2021
AD 2.4-45	07 NOV 2019	AD 2.5-45	07 NOV 2019	AD 2.7-37a	23 MAY 2019
AD 2.4-51	25 APR 2019	AD 2.5-51	20 MAY 2021	AD 2.7-45	17 JUN 2021
AD 2.4-51a	05 APR 2012	AD 2.5-51a	05 APR 2012	AD 2.7-45a	10 NOV 2016
AD 2.4-52	25 APR 2019	AD 2.5-53	22 APR 2021	AD 2.7-52	28 FEB 2019
AD 2.4-52a	05 APR 2012	AD 2.5-53a	05 APR 2012	AD 2.7-52a	10 NOV 2016
AD 2.4-53	25 APR 2019	AD 2.5-55	22 APR 2021	AD 2.7-71	28 FEB 2019
AD 2.4-53a	05 APR 2012	AD 2.5-55a	07 FEB 2013	AD 2.7-71a	10 NOV 2016
AD 2.4-54	25 APR 2019	AD 2.5-57	28 MAR 2019	AD 2.7-71b	10 NOV 2016
AD 2.4-54a	05 APR 2012	AD 2.5-57a	05 APR 2012	AD 2.7-71c	10 NOV 2016
AD 2.4-91	25 APR 2019	AD 2.5-91	28 MAR 2019	AD 2.7-72	28 FEB 2019
AD 2.4-91a	05 APR 2012	AD 2.5-91a	05 APR 2012	AD 2.7-72a	10 NOV 2016
AD 2.4-92	25 APR 2019	AD 2.5-93	22 APR 2021	AD 2.7-72b	10 NOV 2016
AD 2.4-92a	05 APR 2012	AD 2.5-93a	05 APR 2012	AD 2.7-72c	10 NOV 2016
AD 2.4-93	25 APR 2019	AD 2.5-95	22 APR 2021	AD 2.7-81	28 FEB 2019
AD 2.4-93a	10 DEC 2015	AD 2.5-95a	07 FEB 2013	AD 2.7-81a	10 NOV 2016
AD 2.4-94	25 APR 2019	AD 2.5-97	28 MAR 2019	AD 2.8-1	26 MAR 2020
AD 2.4-94a	10 DEC 2015	AD 2.5-97a	05 APR 2012	AD 2.8-2	20 MAY 2021
AD 2.5-1	03 DEC 2020	AD 2.6-1	25 FEB 2021	AD 2.8-3	05 DEC 2019
AD 2.5-2	22 APR 2021	AD 2.6-2	25 FEB 2021	AD 2.8-4	05 DEC 2019
AD 2.5-3	28 MAY 2015	AD 2.6-3	25 FEB 2021	AD 2.8-5	05 DEC 2019
AD 2.5-4	22 APR 2021	AD 2.6-4	25 FEB 2021	AD 2.8-6	05 DEC 2019
AD 2.5-5	22 APR 2021	AD 2.6-20	25 FEB 2021	AD 2.8-7	05 DEC 2019
AD 2.5-6	22 APR 2021	AD 2.6-40	25 FEB 2021	AD 2.8-8	05 DEC 2019
AD 2.5-7	18 JUL 2019	AD 2.7-1	23 APR 2020	AD 2.8-9	05 DEC 2019
AD 2.5-8	13 SEP 2018	AD 2.7-2	15 JUL 2021	AD 2.8-10	05 DEC 2019
AD 2.5-9	03 DEC 2020	AD 2.7-3	15 JUL 2021	AD 2.8-11	05 DEC 2019
AD 2.5-10	03 DEC 2020	AD 2.7-4	15 JUL 2021	AD 2.8-12	05 DEC 2019
AD 2.5-11	03 DEC 2020	AD 2.7-5	15 JUL 2021	AD 2.8-13	05 DEC 2019
AD 2.5-12	03 DEC 2020	AD 2.7-6	15 JUL 2021	AD 2.8-14	05 DEC 2019
AD 2.5-13	03 DEC 2020	AD 2.7-7	15 JUL 2021	AD 2.8-15	28 JAN 2021
AD 2.5-14	22 APR 2021	AD 2.7-8	15 JUL 2021	AD 2.8-16	28 JAN 2021
AD 2.5-15	07 NOV 2019	AD 2.7-9	15 JUL 2021	AD 2.8-17	20 MAY 2021
AD 2.5-16	23 APR 2020	AD 2.7-10	15 JUL 2021	AD 2.8-18	25 MAR 2021
AD 2.5-17	23 APR 2020	AD 2.7-11	15 JUL 2021	AD 2.8-19	05 DEC 2019
AD 2.5-18	17 JUN 2021	AD 2.7-12	15 JUL 2021	AD 2.8-20	15 AUG 2019
AD 2.5-19	08 NOV 2018	AD 2.7-13	15 JUL 2021	AD 2.8-20a	15 AUG 2019
AD 2.5-20	22 APR 2021	AD 2.7-14	15 JUL 2021	AD 2.8-22	15 AUG 2019
AD 2.5-20a	22 APR 2021	AD 2.7-20	08 OCT 2020	AD 2.8-25	20 JUN 2019
AD 2.5-20b	22 APR 2021	AD 2.7-20a	06 DEC 2018	AD 2.8-31	02 JAN 2020
AD 2.5-21	22 APR 2021	AD 2.7-21	08 OCT 2020	AD 2.8-32	02 JAN 2020
AD 2.5-22	21 MAY 2020	AD 2.7-22	08 OCT 2020	AD 2.8-35	13 AUG 2020
AD 2.5-22a	21 MAY 2020	AD 2.7-23	08 OCT 2020	AD 2.8-36	02 JAN 2020
AD 2.5-23	03 DEC 2020	AD 2.7-25	09 SEP 2021	AD 2.8-45	30 JAN 2020
AD 2.5-24	23 APR 2020	AD 2.7-26	15 JUL 2021	AD 2.8-45a	02 JAN 2020
AD 2.5-25	13 SEP 2018	AD 2.7-29	13 NOV 2014	AD 2.8-52	15 AUG 2019
AD 2.5-26	22 APR 2021	AD 2.7-30	17 JUN 2021	AD 2.8-52a	23 JUN 2016
AD 2.5-28	08 DEC 2016	AD 2.7-30a	10 NOV 2016	AD 2.8-81	15 AUG 2019
AD 2.5-29	22 APR 2021	AD 2.7-31	17 JUN 2021	AD 2.8-81a	26 MAY 2016

<i>Page</i>	<i>Date</i>	<i>Page</i>	<i>Date</i>	<i>Page</i>	<i>Date</i>
AD 2.8-82	15 AUG 2019	AD 2.11-20a	15 JUL 2021	AD 2.13-35a	13 AUG 2020
AD 2.8-82a	26 MAY 2016	AD 2.11-22	07 NOV 2019	AD 2.13-36	17 JUN 2021
AD 2.9-1	23 APR 2020	AD 2.11-23	07 NOV 2019	AD 2.13-36a	10 NOV 2016
AD 2.9-2	14 SEP 2017	AD 2.11-25	15 JUL 2021	AD 2.13-37	17 JUN 2021
AD 2.9-3	17 AUG 2017	AD 2.11-26	15 JUL 2021	AD 2.13-37a	17 AUG 2017
AD 2.9-4	26 APR 2018	AD 2.11-51	07 NOV 2019	AD 2.13-45	17 JUN 2021
AD 2.9-5	25 APR 2019	AD 2.11-51a	25 AUG 2011	AD 2.13-45a	17 AUG 2017
AD 2.9-6	22 SEP 2011	AD 2.11-52	07 NOV 2019	AD 2.13-51	17 JUN 2021
AD 2.9-20	15 AUG 2019	AD 2.11-52a	25 AUG 2011	AD 2.13-51a	08 NOV 2018
AD 2.9-20a	25 APR 2019	AD 2.11-91	07 NOV 2019	AD 2.13-92	17 JUN 2021
AD 2.9-22	25 APR 2019	AD 2.11-91a	31 MAR 2016	AD 2.13-92a	10 NOV 2016
AD 2.9-25	26 APR 2018	AD 2.11-92	07 NOV 2019	AD 2.14-1	18 JUN 2020
AD 2.9-51	25 APR 2019	AD 2.11-92a	31 MAR 2016	AD 2.14-2	18 JUN 2020
AD 2.9-51a	23 JUN 2016	AD 2.12-1	15 AUG 2019	AD 2.14-3	18 JUN 2020
AD 2.9-52	25 APR 2019	AD 2.12-2	16 AUG 2018	AD 2.14-4	03 MAR 2016
AD 2.9-52a	23 JUN 2016	AD 2.12-3	10 SEP 2020	AD 2.14-5	28 MAR 2019
AD 2.9-81	25 APR 2019	AD 2.12-4	06 DEC 2018	AD 2.14-6	04 JAN 2018
AD 2.9-81a	23 JUN 2016	AD 2.12-5	07 NOV 2019	AD 2.14-7	04 JAN 2018
AD 2.9-82	25 APR 2019	AD 2.12-6	16 AUG 2018	AD 2.14-20	25 APR 2019
AD 2.9-82a	23 JUN 2016	AD 2.12-20	25 APR 2019	AD 2.14-22	25 APR 2019
AD 2.9-83	25 APR 2019	AD 2.12-20a	25 APR 2019	AD 2.14-25	12 NOV 2015
AD 2.9-83a	23 JUN 2016	AD 2.12-22	25 APR 2019	AD 2.14-29	23 JUN 2016
AD 2.10-1	31 DEC 2020	AD 2.12-25	16 AUG 2018	AD 2.14-30	17 JUN 2021
AD 2.10-2	31 DEC 2020	AD 2.12-26	16 AUG 2018	AD 2.14-30a	10 DEC 2015
AD 2.10-3	31 DEC 2020	AD 2.12-28	06 DEC 2018	AD 2.14-31	17 JUN 2021
AD 2.10-4	31 JAN 2019	AD 2.12-51	15 JUL 2021	AD 2.14-31a	10 DEC 2015
AD 2.10-5	31 DEC 2020	AD 2.12-51a	16 AUG 2018	AD 2.14-52	17 JUN 2021
AD 2.10-6	28 FEB 2019	AD 2.12-52	15 JUL 2021	AD 2.14-52a	23 JUN 2016
AD 2.10-7	31 DEC 2020	AD 2.12-52a	16 AUG 2018	AD 2.14-71	17 JUN 2021
AD 2.10-8	31 DEC 2020	AD 2.12-81	15 JUL 2021	AD 2.14-71a	03 MAR 2016
AD 2.10-9	31 DEC 2020	AD 2.12-81a	16 AUG 2018	AD 2.14-71b	03 MAR 2016
AD 2.10-10	31 DEC 2020	AD 2.12-82	15 JUL 2021	AD 2.14-72	17 JUN 2021
AD 2.10-20	31 DEC 2020	AD 2.12-82a	16 AUG 2018	AD 2.14-72a	03 MAR 2016
AD 2.10-20a	31 DEC 2020	AD 2.12-83	15 JUL 2021	AD 2.14-72b	03 MAR 2016
AD 2.10-22	31 DEC 2020	AD 2.12-83a	16 AUG 2018	AD 2.14-81	17 JUN 2021
AD 2.10-25	16 OCT 2014	AD 2.13-1	16 JUL 2020	AD 2.14-81a	10 DEC 2015
AD 2.10-28	31 JAN 2019	AD 2.13-2	03 DEC 2020	AD 2.14-82	17 JUN 2021
AD 2.10-30	17 JUN 2021	AD 2.13-3	15 AUG 2019	AD 2.14-82a	10 DEC 2015
AD 2.10-31	17 JUN 2021	AD 2.13-4	15 AUG 2019	AD 2.15-1	10 SEP 2020
AD 2.10-51	17 JUN 2021	AD 2.13-5	28 JAN 2021	AD 2.15-2	10 SEP 2020
AD 2.10-51a	25 MAY 2017	AD 2.13-6	28 JAN 2021	AD 2.15-3	02 JAN 2020
AD 2.10-52	17 JUN 2021	AD 2.13-7	15 AUG 2019	AD 2.15-4	02 JAN 2020
AD 2.10-52a	25 MAY 2017	AD 2.13-8	15 AUG 2019	AD 2.15-5	02 JAN 2020
AD 2.10-91	17 JUN 2021	AD 2.13-9	15 AUG 2019	AD 2.15-6	02 JAN 2020
AD 2.10-91a	25 MAY 2017	AD 2.13-10	16 JUL 2020	AD 2.15-7	02 JAN 2020
AD 2.10-92	17 JUN 2021	AD 2.13-20	28 JAN 2021	AD 2.15-8	31 DEC 2020
AD 2.10-92a	25 MAY 2017	AD 2.13-20a	03 DEC 2020	AD 2.15-9	02 JAN 2020
AD 2.10-93	17 JUN 2021	AD 2.13-22	28 FEB 2019	AD 2.15-10	02 JAN 2020
AD 2.10-93a	18 JUN 2020	AD 2.13-22a	03 APR 2014	AD 2.15-20	02 JAN 2020
AD 2.10-94	17 JUN 2021	AD 2.13-25	26 APR 2018	AD 2.15-20a	23 MAY 2019
AD 2.10-94a	18 JUN 2020	AD 2.13-26	05 MAY 2011	AD 2.15-22	23 MAY 2019
AD 2.11-1	15 JUL 2021	AD 2.13-28	22 JUN 2017	AD 2.15-23	23 MAY 2019
AD 2.11-2	15 JUL 2021	AD 2.13-30	17 JUN 2021	AD 2.15-25	23 MAY 2019
AD 2.11-3	15 JUL 2021	AD 2.13-30a	10 NOV 2016	AD 2.15-26	23 MAY 2019
AD 2.11-4	15 JUL 2021	AD 2.13-31	17 JUN 2021	AD 2.15-29	07 APR 2011
AD 2.11-5	15 JUL 2021	AD 2.13-31a	10 NOV 2016	AD 2.15-30	17 JUN 2021
AD 2.11-6	15 JUL 2021	AD 2.13-33	17 JUN 2021	AD 2.15-30a	10 NOV 2016
AD 2.11-7	15 JUL 2021	AD 2.13-33a	10 NOV 2016	AD 2.15-31	17 JUN 2021
AD 2.11-8	15 JUL 2021	AD 2.13-34	17 JUN 2021	AD 2.15-31a	10 NOV 2016
AD 2.11-9	15 JUL 2021	AD 2.13-34a	10 NOV 2016	AD 2.15-32	17 JUN 2021
AD 2.11-20	15 JUL 2021	AD 2.13-35	17 JUN 2021	AD 2.15-32a	10 NOV 2016

Page	Date	Page	Date	Page	Date
AD 2.15-34	17 JUN 2021	AD 2.16-91	15 JUL 2021	AD 2.23-40	28 MAR 2019
AD 2.15-34a	10 NOV 2016	AD 2.16-91a	18 JUL 2019	AD 2.23-41	28 MAR 2019
AD 2.15-35	17 JUN 2021	AD 2.16-92	15 JUL 2021	AD 2.24-1	27 FEB 2020
AD 2.15-35a	10 NOV 2016	AD 2.16-92a	18 JUL 2019	AD 2.24-2	30 MAR 2017
AD 2.15-36	17 JUN 2021	AD 2.16-93	15 JUL 2021	AD 2.24-3	30 MAR 2017
AD 2.15-36a	10 NOV 2016	AD 2.16-93a	25 FEB 2021	AD 2.24-4	30 MAR 2017
AD 2.15-37	17 JUN 2021	AD 2.16-94	15 JUL 2021	AD 2.24-20	19 JUL 2018
AD 2.15-37a	10 NOV 2016	AD 2.16-94a	25 FEB 2021	AD 2.24-40	19 JUL 2018
AD 2.15-45	17 JUN 2021	AD 2.17-1	26 MAR 2020	AD 2.25-1	16 AUG 2018
AD 2.15-45a	10 NOV 2016	AD 2.17-2	28 JAN 2021	AD 2.25-2	16 AUG 2018
AD 2.15-51	17 JUN 2021	AD 2.17-3	28 JAN 2021	AD 2.25-3	16 AUG 2018
AD 2.15-51a	10 NOV 2016	AD 2.17-4	28 JAN 2021	AD 2.25-4	16 AUG 2018
AD 2.15-52	17 JUN 2021	AD 2.17-5	28 JAN 2021	AD 2.25-20	16 AUG 2018
AD 2.15-52a	10 NOV 2016	AD 2.17-6	28 JAN 2021	AD 2.25-40	16 AUG 2018
AD 2.15-91	17 JUN 2021	AD 2.17-7	28 JAN 2021	AD 2.26-1	25 MAR 2021
AD 2.15-91a	10 NOV 2016	AD 2.17-8	28 JAN 2021	AD 2.26-2	16 AUG 2018
AD 2.15-92	17 JUN 2021	AD 2.17-9	28 JAN 2021	AD 2.26-3	16 AUG 2018
AD 2.15-92a	10 NOV 2016	AD 2.17-10	28 JAN 2021	AD 2.26-4	16 AUG 2018
AD 2.15-93	17 JUN 2021	AD 2.17-11	28 JAN 2021	AD 2.26-20	08 OCT 2020
AD 2.15-93a	10 NOV 2016	AD 2.17-12	28 JAN 2021	AD 2.26-40	08 OCT 2020
AD 2.15-94	17 JUN 2021	AD 2.17-13	28 JAN 2021	AD 2.27-1	21 MAY 2020
AD 2.15-94a	10 NOV 2016	AD 2.17-20	05 DEC 2019	AD 2.27-2	21 MAY 2020
AD 2.16-1	09 SEP 2021	AD 2.17-20a	05 DEC 2019	AD 2.27-3	21 MAY 2020
AD 2.16-2	27 FEB 2020	AD 2.17-21	28 JAN 2021	AD 2.27-4	21 MAY 2020
AD 2.16-3	18 JUL 2019	AD 2.17-22	28 JAN 2021	AD 2.27-20	21 MAY 2020
AD 2.16-4	18 JUL 2019	AD 2.17-25	05 DEC 2019	AD 2.27-40	21 MAY 2020
AD 2.16-5	18 JUL 2019	AD 2.17-26	05 DEC 2019	AD 2.28-1	16 JUL 2020
AD 2.16-6	18 JUL 2019	AD 2.17-51	25 APR 2019	AD 2.28-2	16 JUL 2020
AD 2.16-7	18 JUL 2019	AD 2.17-51a	17 NOV 2011	AD 2.28-3	16 JUL 2020
AD 2.16-8	18 JUL 2019	AD 2.17-81	05 DEC 2019	AD 2.28-4	16 JUL 2020
AD 2.16-9	18 JUL 2019	AD 2.17-81a	05 DEC 2019	AD 2.28-20	16 JUL 2020
AD 2.16-10	18 JUL 2019	AD 2.18-1	15 JUL 2021	AD 2.28-40	16 JUL 2020
AD 2.16-11	18 JUL 2019	AD 2.18-2	15 JUL 2021	AD 3	
AD 2.16-12	18 JUL 2019	AD 2.18-3	15 JUL 2021	AD 3.2-1	22 APR 2021
AD 2.16-13	27 FEB 2020	AD 2.18-4	15 JUL 2021	AD 3.2-2	22 APR 2021
AD 2.16-20	30 JAN 2020	AD 2.18-20	15 JUL 2021	AD 3.2-3	30 APR 2015
AD 2.16-20a	07 NOV 2019	AD 2.18-40	15 JUL 2021	AD 3.2-4	26 AUG 2010
AD 2.16-22	30 JAN 2020	AD 2.19-1	31 DEC 2020	AD 3.2-20	22 APR 2021
AD 2.16-25	27 FEB 2020	AD 2.19-2	30 APR 2015	AD 3.2-40	22 APR 2021
AD 2.16-26	27 FEB 2020	AD 2.19-3	29 MAY 2014	AD 3.3-1	04 JUN 2009
AD 2.16-28	18 JUL 2019	AD 2.19-4	15 JUL 2021	AD 3.3-2	07 JUN 2007
AD 2.16-29	18 JUL 2019	AD 2.19-20	15 JUL 2021	AD 3.3-3	30 APR 2015
AD 2.16-30	15 JUL 2021	AD 2.20-1	22 JUN 2017	AD 3.3-4	30 APR 2015
AD 2.16-31	15 JUL 2021	AD 2.20-2	05 FEB 2015	AD 3.3-20	25 JUN 2015
AD 2.16-32	15 JUL 2021	AD 2.20-3	05 FEB 2015	AD 3.5-1	28 JAN 2021
AD 2.16-33	15 JUL 2021	AD 2.20-4	01 APR 2019	AD 3.5-2	05 MAR 2015
AD 2.16-34	15 JUL 2021	AD 2.20-20	02 MAR 2017	AD 3.5-3	05 MAR 2015
AD 2.16-35	15 JUL 2021	AD 2.20-21	02 MAR 2017	AD 3.5-4	05 MAR 2015
AD 2.16-36	15 JUL 2021	AD 2.20-40	28 MAR 2019	AD 3.5-20	28 JAN 2021
AD 2.16-36a	18 JUL 2019	AD 2.20-41	28 MAR 2019	AD 3.6-1	13 SEP 2018
AD 2.16-37	15 JUL 2021	AD 2.21-1	26 MAR 2020	AD 3.6-2	13 SEP 2018
AD 2.16-37a	18 JUL 2019	AD 2.21-2	05 APR 2012	AD 3.6-3	13 SEP 2018
AD 2.16-45	15 JUL 2021	AD 2.21-3	05 APR 2012	AD 3.6-4	13 SEP 2018
AD 2.16-51	15 JUL 2021	AD 2.21-4	28 JAN 2021	AD 3.6-20	13 SEP 2018
AD 2.16-51a	18 JUL 2019	AD 2.21-20	19 JUL 2018	AD 3.7-1	13 AUG 2020
AD 2.16-52	15 JUL 2021	AD 2.21-40	19 JUL 2018	AD 3.7-2	13 AUG 2020
AD 2.16-52a	18 JUL 2019	AD 2.23-1	15 DEC 2019	AD 3.7-3	13 AUG 2020
AD 2.16-53	15 JUL 2021	AD 2.23-2	04 FEB 2016	AD 3.7-4	13 AUG 2020
AD 2.16-53a	25 FEB 2021	AD 2.23-3	23 JUL 2015	AD 3.7-20	13 AUG 2020
AD 2.16-54	15 JUL 2021	AD 2.23-4	28 MAR 2019	AD 3.7-40	13 AUG 2020
AD 2.16-54a	25 FEB 2021	AD 2.23-20	31 JAN 2019		

<i>Page</i>	<i>Date</i>	<i>Page</i>	<i>Date</i>	<i>Page</i>	<i>Date</i>
AD 3.7-40a	13 AUG 2020				
AD 3.8-1	25 MAR 2021				
AD 3.8-2	25 MAR 2021				
AD 3.8-3	25 MAR 2021				
AD 3.8-4	25 MAR 2021				
AD 3.8-20	25 MAR 2021				

ELEVATIONS IN FEET AND LINEAR DIMENSIONS IN METRES

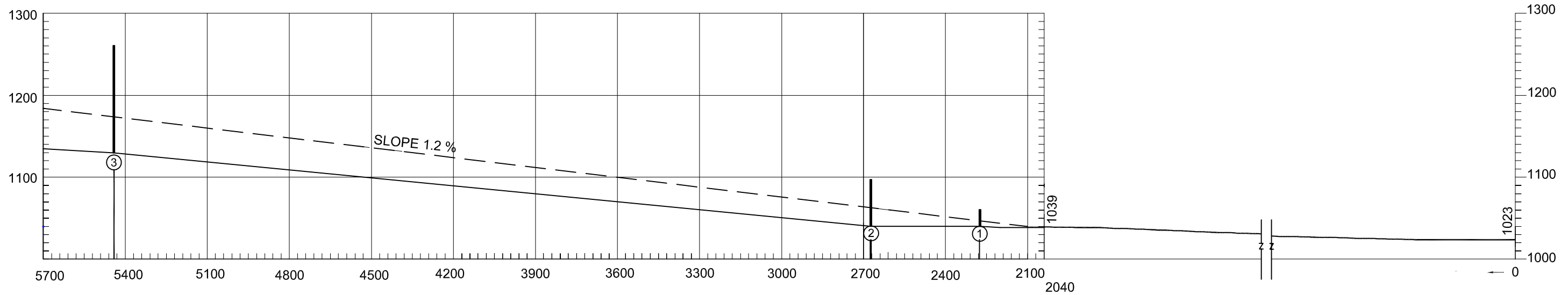
AERODROME OBSTACLE CHART - ICAO
TYPE A (OPERATING LIMITATIONS)

CLUJ NAPOCA / Avram Iancu (LRCL)

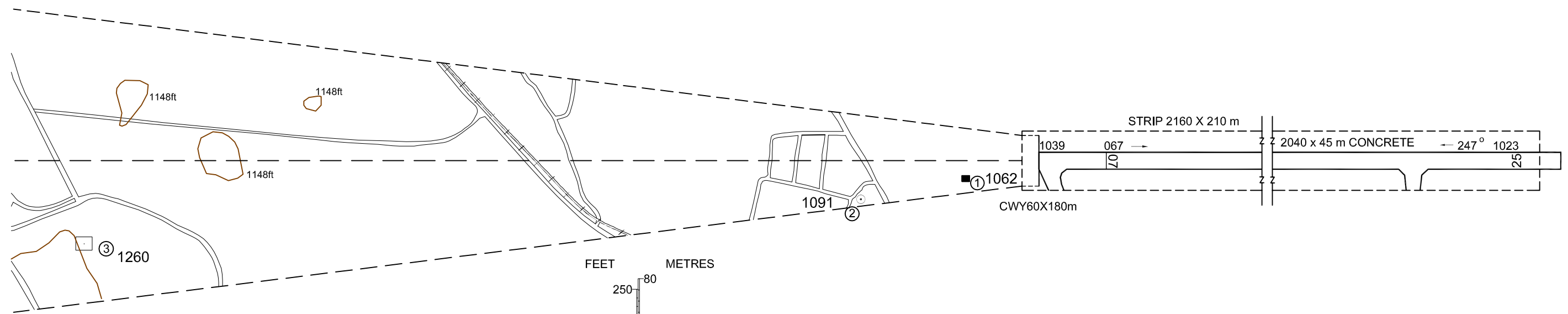
RWY 25

DECLARED DISTANCES	
RWY 25	
TAKE-OFF RUN AVAILABLE	2040
TAKE-OFF DISTANCE AVAILABLE	2100
ACCELERATE STOP DISTANCE AVAILABLE	2040
LANDING DISTANCE AVAILABLE	2040

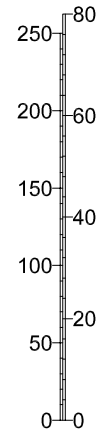
MAGNETIC VARIATION 5 °E-2015



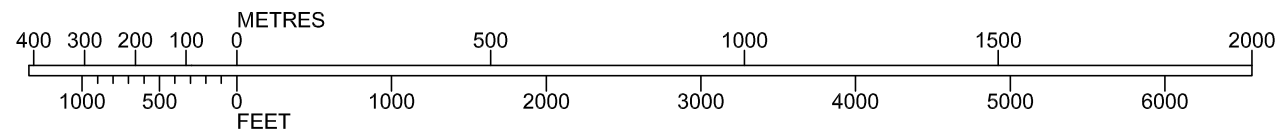
Changes: Obstacle 2 elevation.



FEET METRES



HORIZONTAL SCALE 1 : 15 000



ORDER OF ACCURACY
HORIZONTAL 0.5 METRES
VERTICAL 0.5 ft

LEGEND	
IDENTIFICATION NUMBER	①
POLE, TOWER, SPIRE, ANTENNA, etc.	⊙
BUILDING OR LARGE STRUCTURE	□
RAILROAD	—+—+—+—
TERRAIN CONTOUR	~
TERRAIN PENETRATING OBSTACLE PLANE	—/—/—/—/—
TREE OR SHRUB	⊕

ELEV 1407 ←④⊙ 8460@250°	ELEV 1398 ←⑦⊙ 8757@256°	ELEV 1448 ←⑩⊙ 11924@246°
ELEV 1335 ←⑤⊙ 9180@246°	ELEV 1318 ←⑧⊙ 7904@250°	
ELEV 1575 ←⑥⊙ 9920@242°	ELEV 1506 ←⑨⊙ 11079@242°	

AMENDMENT RECORD		
NO.	DATE	ENTERED BY

LRTR AD 2.1 AERODROME LOCATION INDICATOR AND NAME**LRTR - TIMIȘOARA / Traian Vuia****LRTR AD 2.2 AERODROME GEOGRAPHICAL AND ADMINISTRATIVE DATA**

1	ARP co-ordinates and site at AD	454835N 0212016E Runway center.
2	Direction and distance from city	45°, 11 km from Timișoara.
3	Elevation/Reference temperature	348 FT / 30.5°C
4	Geoid undulation at AD ELEV PSN	142 FT
5	MAG VAR/ Annual rate of change	5°E (2017) / 7.2'E
6	AD Administration, address, telephone, telefax, e-mail, AFS, website	S.N. Aeroportul Internațional Timișoara Traian Vuia S.A., Str. Aeroport Nr. 2, 307210 Ghiroda, România Call Center: + 40-(0)256-386089 Fax: + 40-(0)256-490705 Tel/Fax Dispecerat: + 40-(0)256-493123 e-mail: office@aerotim.ro AFS: LRTRRAYD SITA: TSRAP8X Website: www.aerotim.ro
7	Types of traffic permitted (IFR/VFR)	IFR/VFR
8	Remarks	For operational (OPS) requests, use e-mail dispatch@aerotim.ro (H24).

LRTR AD 2.3 OPERATIONAL HOURS

1	AD Administration	H24
2	Customs and immigration	H24
3	Health and sanitation	H24
4	AIS Briefing Office	H24, see GEN 3.1-5.
5	ATS Reporting Office (ARO)	H24, see ENR 1.10-2.
6	MET Briefing Office	H24
7	ATS	H24
8	Fuelling	H24
9	Handling	H24
10	Security	H24
11	De-icing	H24
12	Remarks	Notification, on requested services, shall be addressed at: Fax: +40-(0)256-493123 (H24) AFTN: LRTRRAYD SITA: TSRAP8X (H24) Lack of prior notification may cause delays in service delivery. Aircraft having ACN higher than 44 are subject to prior permission request, in accordance with AD 2.20 Local aerodrome regulation point 1.1.2.

LRTR AD 2.4 HANDLING SERVICES AND FACILITIES

1	Cargo-handling facilities	2 hi-loader of 7t , 5 conveyor belts, 1 fork-lifts, 6 ramp tractors, 20 cargo carts, 12 dollies for ULDs, 4 GPU, 1 Airstarter unit, 1 cooling/heating equipment, 1 potable water vehicle, 2 lavatory service vehicles, 4 airport passengers buses, 2 equipments for towing/push-back aircraft.
2	Fuel/Oil types	Kerosene Th type JET A1/NIL
3	Fuelling facilities/capacity	NIL
4	De-icing facilities	2 de-icing/anti-icing units with type I and type II fluids
5	Hangar space for visiting aircraft	NIL
6	Repair facilities for visiting aircraft	NIL
7	Remarks	Preliminary briefing, requests of operating permissions on aerodrome and handling shall be sent only at: Fax: +40-(0)256-493123 (H24) AFTN: LRTRRAYD SITA: TSRAP8X (H24) Any other way of contact may cause delays.

LRTR AD 2.5 PASSENGER FACILITIES

1	<i>Hotels</i>	Hotels in the city.
2	<i>Restaurants</i>	Restaurant on the AD.
3	<i>Transportation</i>	Buses, taxis, rent-a-car.
4	<i>Medical facilities</i>	Ambulance and first aid on the AD. Hospitals in the city.
5	<i>Bank and Post Office</i>	ATM on the AD. Bank and Post Office in the city.
6	<i>Tourist Office</i>	In the city
7	<i>Remarks</i>	NIL

LRTR AD 2.6 RESCUE AND FIRE FIGHTING SERVICES

1	<i>AD category for fire fighting</i>	CAT 7
2	<i>Rescue equipment</i>	Hydraulic spreader SP 4240C, Hydraulic cutter CU 4035 NCT II, Ram RA 4321, Core hoses AH 10YU and C15 OU, Spreader accessories RA 4321, Lifting Airbag 18tf HLB 18, Pressure reducer PRV 823, Pulling chains (with hooks) for hydraulic spreader, Combined tool (cutter and spreader), Connecting hydraulic hose, Chainsaw with disk.
3	<i>Capability for removal of disabled aircraft</i>	Cranes AVBL via contractor.
4	<i>Remarks</i>	RTF direct communication between aircraft and ground RFF team on frequency 121.500 MHz EMERG.

LRTR AD 2.7 SEASONAL AVAILABILITY - CLEARING

1	<i>Types of clearing equipment</i>	1 snow blower, 3 tractors with snow ploughs, 2 trucks/plugs/spreaders for liquid/solid de-icing materials
2	<i>Clearance priorities</i>	1. RWY 11/29 2. TWY's A, B, C and L. 3. Apron.
3	<i>Remarks</i>	Information on snow clearance published from November-April in NOTAM (SNOWTAM). See also the snow plan in section AD 1.2.2

LRTR AD 2.8 APRONS, TAXIWAYS AND CHECK LOCATIONS DATA

1	<i>Apron designation, surface and strength</i>	Surface: Concrete Strength: 35/R/B/W/T
2	<i>Taxiway designation, width, surface and strength</i>	Width: 23 M (A,B,L), 33 M (C) Surface: Asphalt (A,B), Concrete (C,L) Strength: 70/R/C/W/T (A), 35/R/B/W/T (B), 80/R/D/W/T (C,L)
3	<i>ACL location and elevation</i>	Location: At Apron. Elevation: 341 FT / 104 M
4	<i>INS checkpoints</i>	INS: See AD 2.16-22
5	<i>Remarks</i>	RWY turning bay: Location: THR 29 Surface: Concrete Dimensions: 100 M x 27 M Strength: 42/R/B/W/T TWY P – available for towed aircrafts only. TWY D and TWY E – available for military traffic only.

LRTR AD 2.9 SURFACE MOVEMENT GUIDANCE AND CONTROL SYSTEM AND MARKINGS

1	<i>Use of aircraft stand ID signs, TWY guide lines and visual docking/parking guidance system of aircraft stands</i>	Taxi directions into aircraft parking positions, taxi guidance lines with designators nose-in guidance at aircraft stands. Stands parking guidance provided by marshaller.
2	<i>RWY and TWY markings</i>	RWY: Color white: Designation, THR, TDZ, centre line, edges, aiming point, RWY end, turning bay markings at THR 29. TWY: Colour yellow: centre line, RWY holding position, edges.
3	<i>Stop bars</i>	Stop bars on TWY A and C.
4	<i>Remarks</i>	Guard Lights on TWY B.